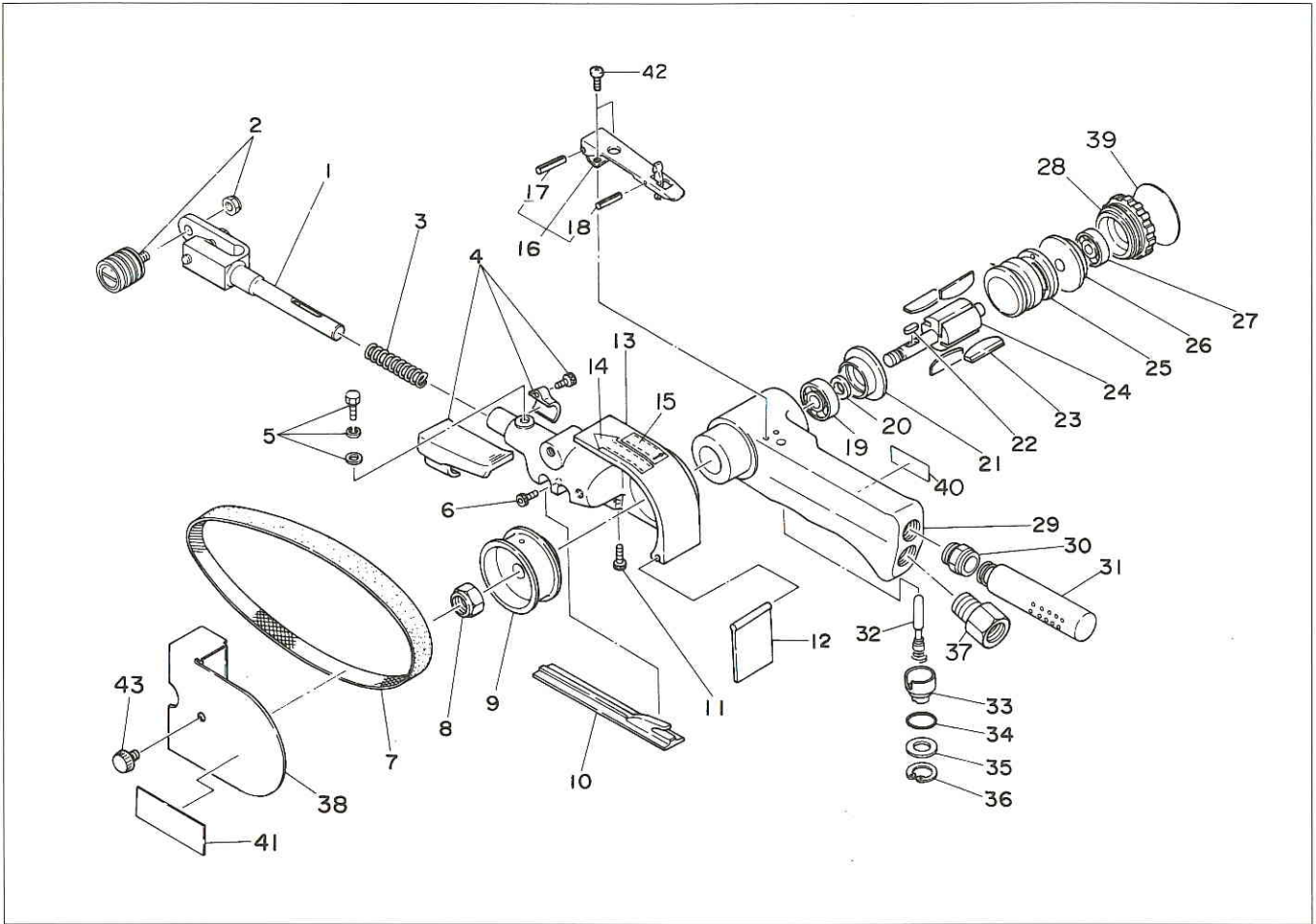


# BELTON B-20C ASSEMBLY AND PARTS LIST



The Part Numbers with ( ) are included in the Ass'y parts written above them.

No.	Part No.	Part Name	Q'ty	Price
1	TA9A632	Idle Pulley Bracket B Sub Ass'y	1 set	
2	TA90514	Idle Pulley B Ass'y	1 set	
3	TP16535	Spring 1.2X7.8X51	1	
4	TA90512	Finger Pad Ass'y	1 set	
5	TA92254	Key Bolt Ass'y	1 set	
6	TP01945	Hex. Socket Head Cap Screw 5X12	1	
7	TP15867	Abrasive Belt # 60X20	1	
8	TP01918	Hex. Nut M10	1	
9	TP01917	Drive Pulley	1	
10	TP01935	Flat Shoe	1	
13	TB01950	Guard Body Sub Ass'y	1 set	
11	(TP01934)	Hex. Socket Head Cap Screw 5X18	1	
12	(TP16207)	Dust Cover	1	
14	(TP16360)	Rotating Direction Label	1	
15	(TP16361)	Warning Label	1	
16	TB01793	Throttle Lever Ass'y	1 set	
17	(TP00460)	Spring Pin 3X22	1	
18	(TP05498)	Spring Pin 2X16	1	
42	TP06290	Pan Head Screw 4X8	2	
19	TP01913	Ball Bearing 6000ZZ	1	
20	TP01912	Distance Collar	1	
21	TP01911	End Plate B	1	
22	TP00502	Parallel Key Both Ends Round 4X4X9.5	1	
23	TA9A212	Blade Ass'y (4 pcs./set)	1 set	
24	TP01909	Rotor	1	
25	TP10000	Cylinder	1	

No.	Part No.	Part Name	Q'ty	Price
26	TP01907	End Plate A	1	
27	TP00468	Ball Bearing 608ZZ	1	
28	TB01941	Cap Ass'y	1 set	
39	(TQ02582)	Name Plate	1	
29	TB01938	Housing Sub Ass'y	1 set	
40	(TQ02578)	Warning Label	1	
30	TP10005	Bushing PF 3/8	1	
31	TA96323	Silencer Sub Ass'y	1 set	
32	TA95954	Throttle Valve Ass'y	1 set	
33	TP12405	Adjust Valve	1	
34	TP12407	O-Ring S-15	1	
35	TP12406	Spacer 10.5X17.9X1.6	1	
36	TP00987	Internal Retaining Ring C-18	1	
37	TP00857	Bushing M16XPT1/4	1	
38	TB01947	Belt Cover Ass'y	1 set	
41	(TQ02207)	Warning Label CE Mark	1	
43	(TQ02418)	Fixation Screw	1	

## ACCESSORIES

	TP01939	Hex. Socket Screw Key 4	1	
	TP01940	Convex Shoe	1	
	TP02236	Bushing PT1/4XNPT 3/8	1	
	TP15867	Abrasive Belt # 60X20	1	
	TP15868	Abrasive Belt # 80X20	1	
	TP15869	Abrasive Belt # 100X20	1	
	TP15870	Abrasive Belt # 120X20	1	
	TQ02585	Instruction Manual	1	